

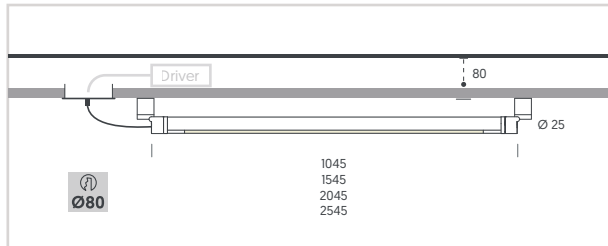
**MICRO  
24 V  
POSSI-  
BILITIES**

# MICRO POSSIBILITIES

## MICRO 24V INDIVIDUAL / SYSTEM (INITIAL)

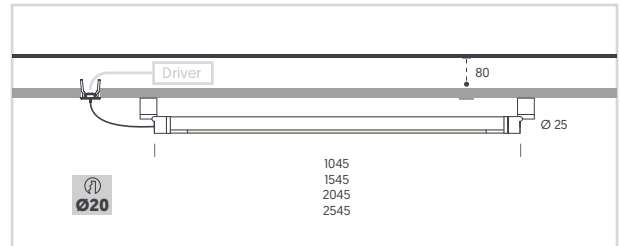
### CANOPY + TOP - TOP

#### RECESSED



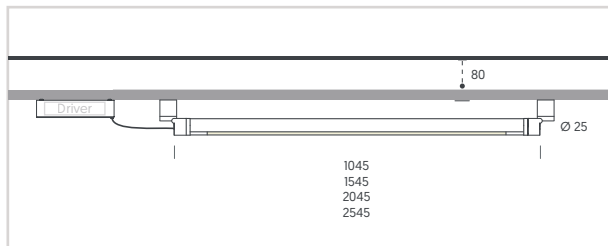
MICROCTWTR\_\_\_\_ / MICSICTWTR\_\_\_\_

#### REGISTER



MICROCTWTG\_\_\_\_ / MICSICTWTG\_\_\_\_

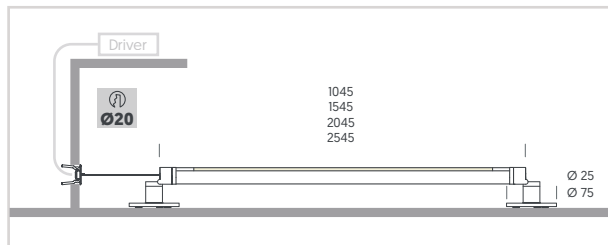
#### SURFACE



MICROCTWTS\_\_\_\_ / MICSICTWTS\_\_\_\_

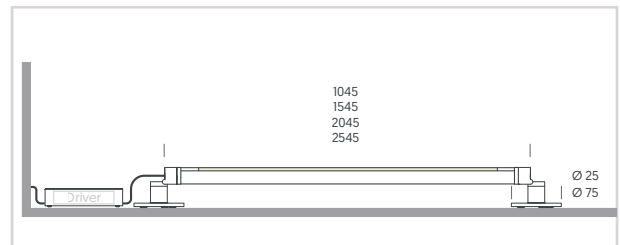
### CANOPY + FLOOR - FLOOR

#### REGISTER



MICROCFWFG\_\_\_\_ / MICSICFWFG\_\_\_\_

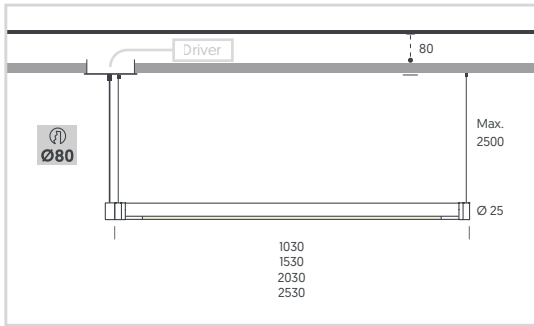
#### SURFACE



MICROCFWFS\_\_\_\_ / MICSICFWFS\_\_\_\_

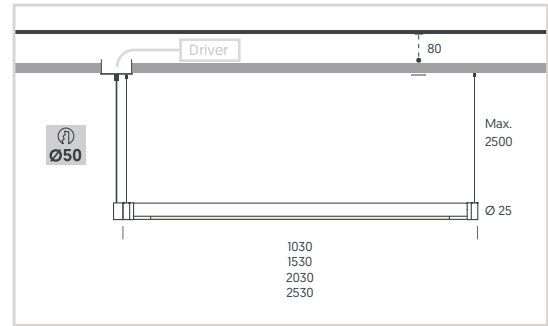
## CANOPY + PENDANT - PENDANT

### RECESSED



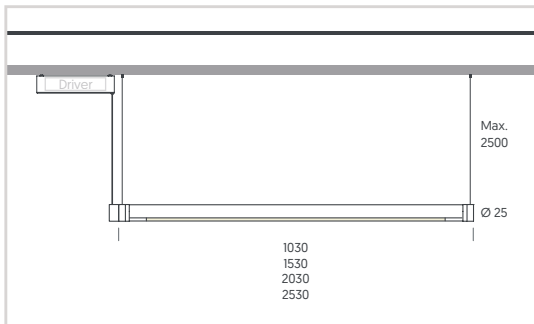
MICROCPWPR\_\_\_ / MICSICPWPR\_\_\_

### REGISTER



MICROCPWPG\_\_\_ / MICSICPWPG\_\_\_

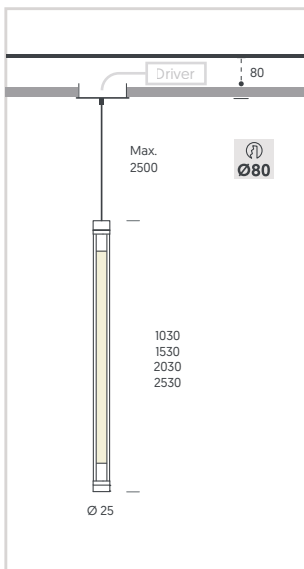
### SURFACE



MICROCPWPS\_\_\_ / MICSICWPS\_\_\_

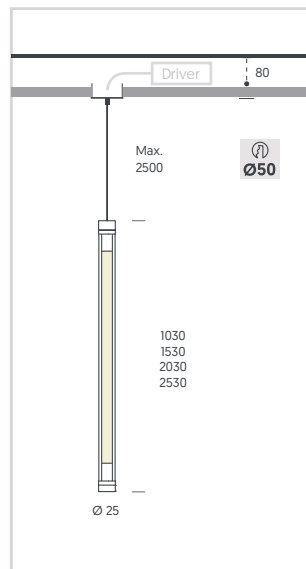
## CANOPY + VERTICAL

### RECESSED



MICROCVNAR\_\_\_

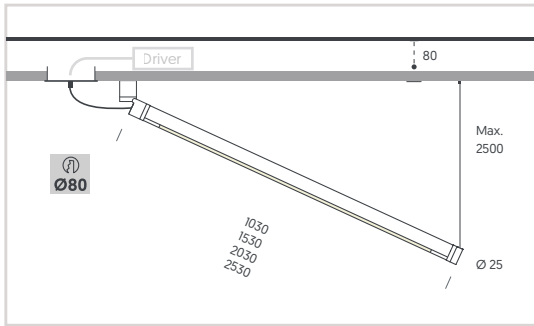
### REGISTER



MICROCVNAG\_\_\_

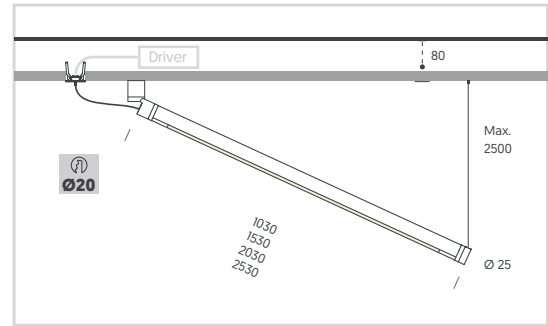
## CANOPY + TOP - PENDANT

### RECESSED



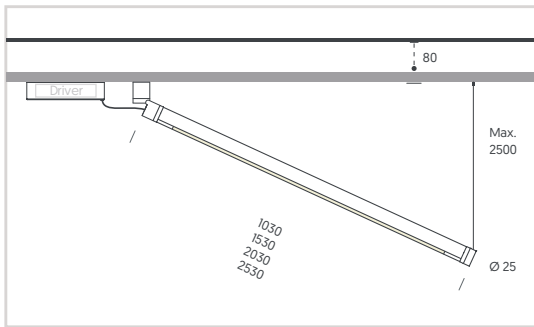
MICROCTWPR\_\_\_ / MICSICTWPR\_\_\_

### REGISTER



MICROCTWPG\_\_\_ / MICSICTWPG\_\_\_

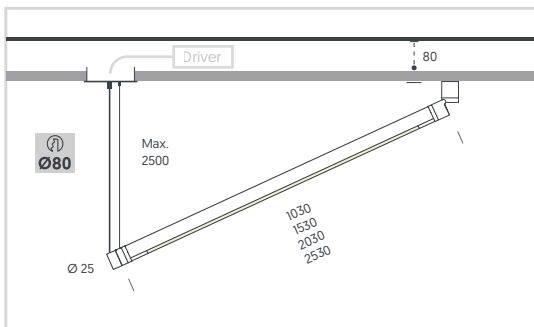
### SURFACE



MICROCTWPS\_\_\_ / MICSICTWPS\_\_\_

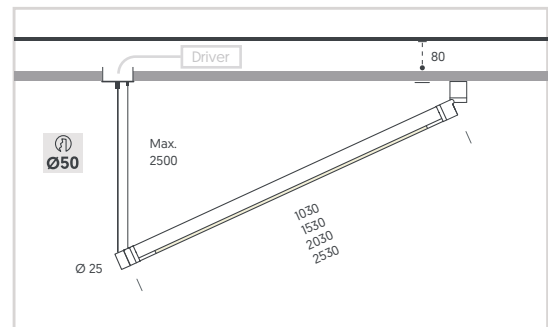
## CANOPY + PENDANT - TOP

### RECESSED



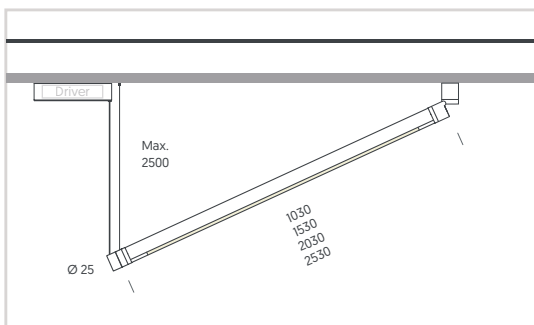
MICROCPWTR\_\_\_ / MICSICPWTR\_\_\_

### REGISTER



MICROCPWTG\_\_\_ / MICSICPWTG\_\_\_

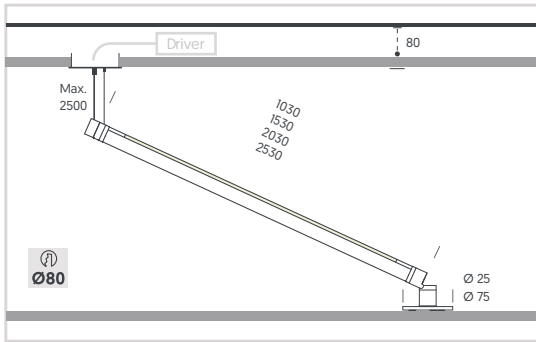
### SURFACE



MICROCPWTS\_\_\_ / MICSICPWTS\_\_\_

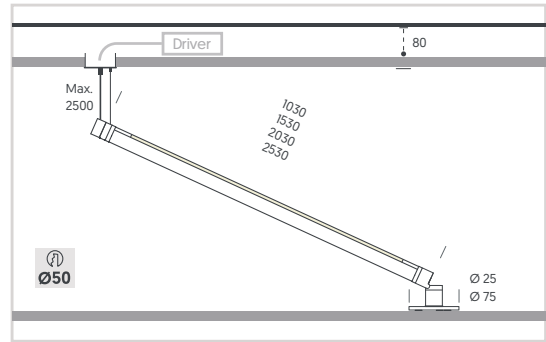
## CANOPY + PENDANT - FLOOR

### RECESSED



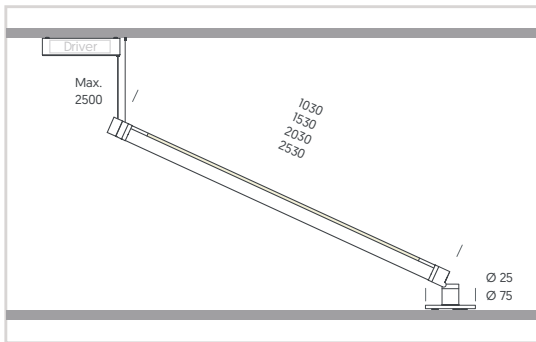
MICROCPWFR\_\_\_ / MICSICPWFR\_\_\_

### REGISTER



MICROCPWFG\_\_\_ / MICSICPWFG\_\_\_

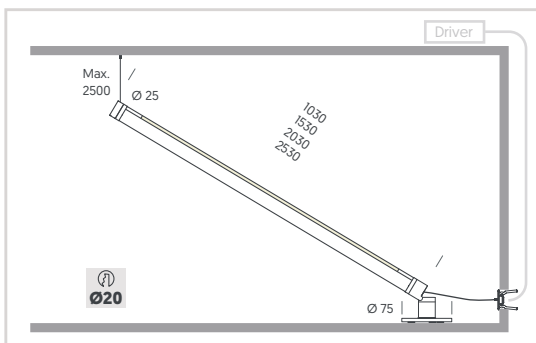
### SURFACE



MICROCPWFS\_\_\_ / MICSICPWFS\_\_\_

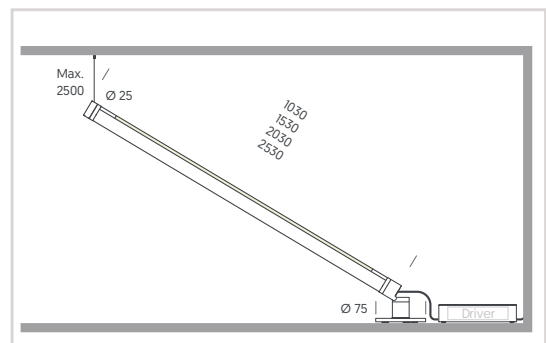
## CANOPY + FLOOR - PENDANT

### REGISTER



MICROCFWPG\_\_\_ / MICSICFWPG\_\_\_

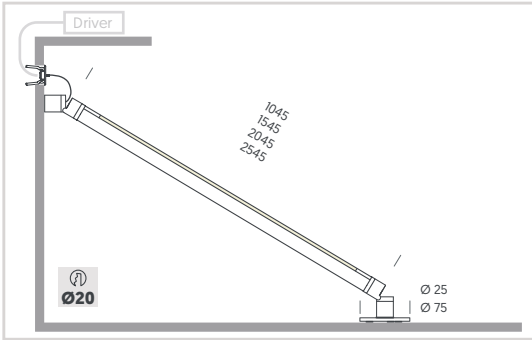
### SURFACE



MICROCFWPS\_\_\_ / MICSICFWPS\_\_\_

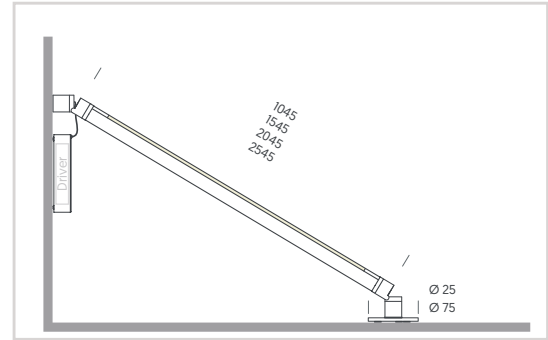
## CANOPY + TOP - FLOOR

REGISTER



MICROPTWFG\_\_\_ / MICSICTWFG\_\_\_

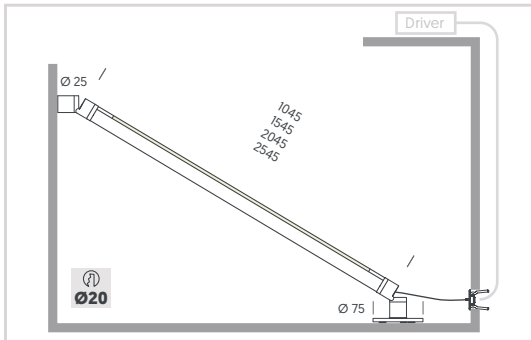
SURFACE



MICROCTWFS\_\_\_ / MICSICTWFS\_\_\_

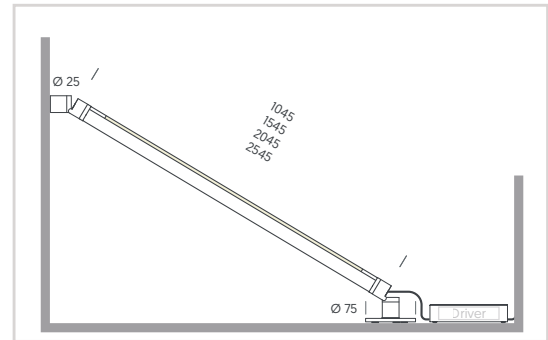
## CANOPY + FLOOR - TOP

REGISTER



MICROCFWTG\_\_\_ / MICSICFWTG\_\_\_

SURFACE

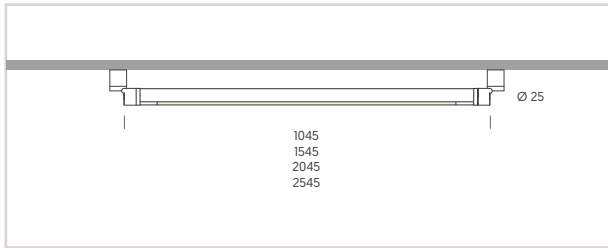


MICROCFWTS\_\_\_ / MICSICFWTS\_\_\_

# MICRO POSSIBILITIES

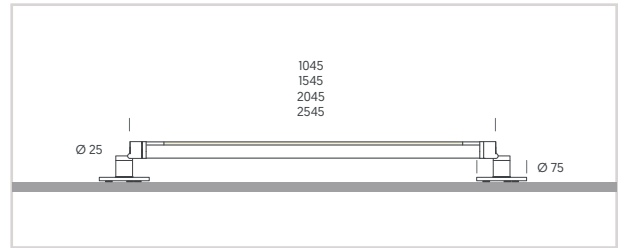
## MICRO 24V SYSTEM (CENTRAL-END)

### TOP - TOP



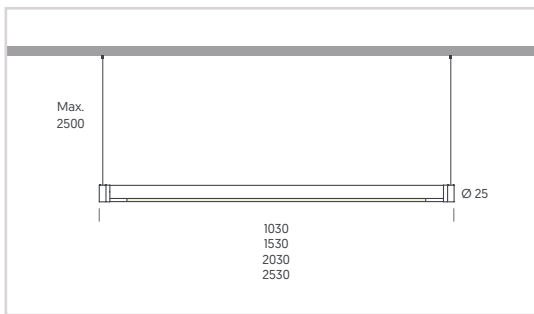
MICS(C/F)WTWTN\_\_\_\_

### FLOOR - FLOOR



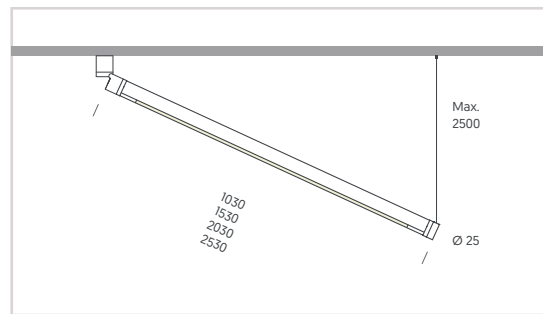
MICS(C/F)WFWFN\_\_\_\_

### PENDANT - PENDANT



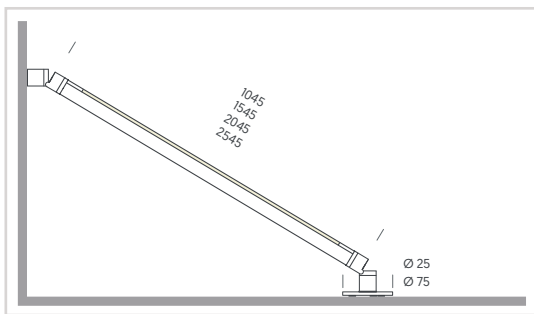
MICS(C/F)WPWPN\_\_\_\_

### TOP - PENDANT



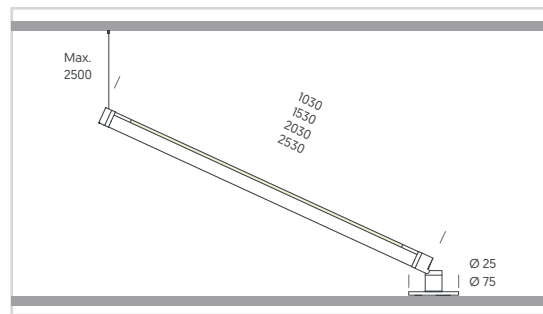
MICS(C/F)WTWPN\_\_\_\_

### TOP - FLOOR



MICS(C/F)WTWFN\_\_\_\_

### PENDANT - FLOOR



MICS(C/F)WPWFN\_\_\_\_

